

QUICK START GUIDE

Automatic calf feeder - combi

1.1 Installation checklist

This document provides a brief overview of the things that need to be taken into account when commissioning a feeder for the first time.

1 Connect water

2 Connect power

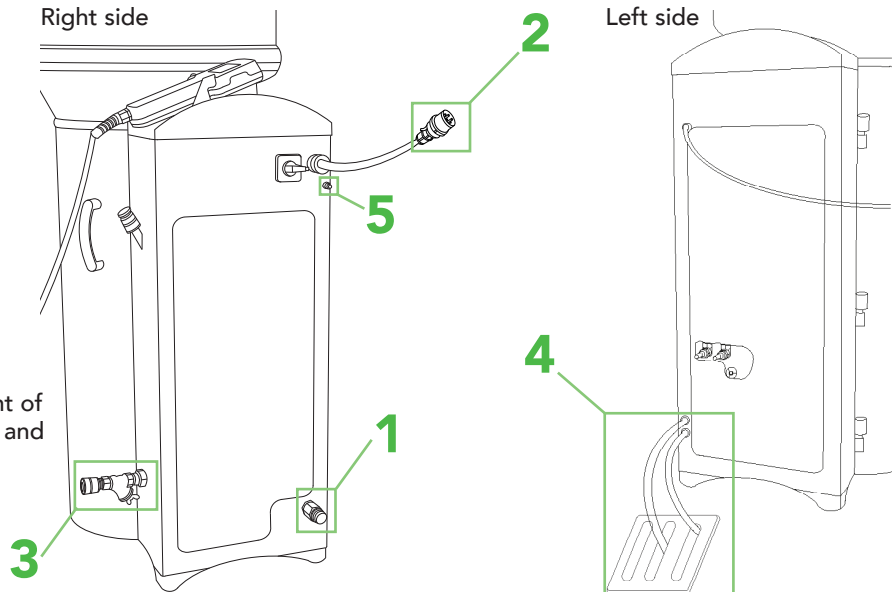
3 Connect milk tank

Place milk tank next to the feeder on same or on higher level

4 Provide draining options

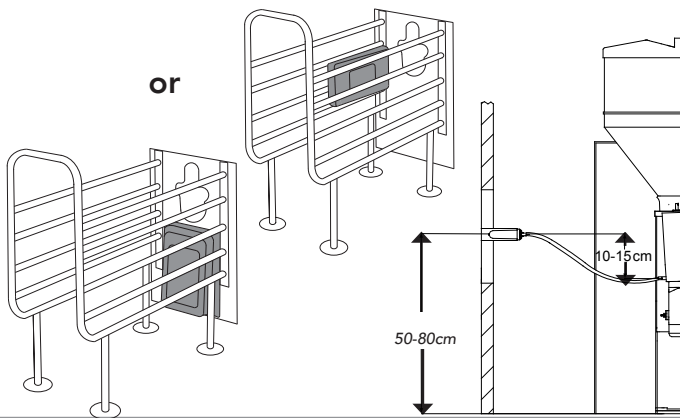
1 on the left side of the feeder, 1 in front of the feeder in the middle of the housing and 1 at every feeding station

5 Establish ground connection



6 Mount and connect raceway, antenna and suction point

TIP: For more details, see the corresponding assembly instructions.



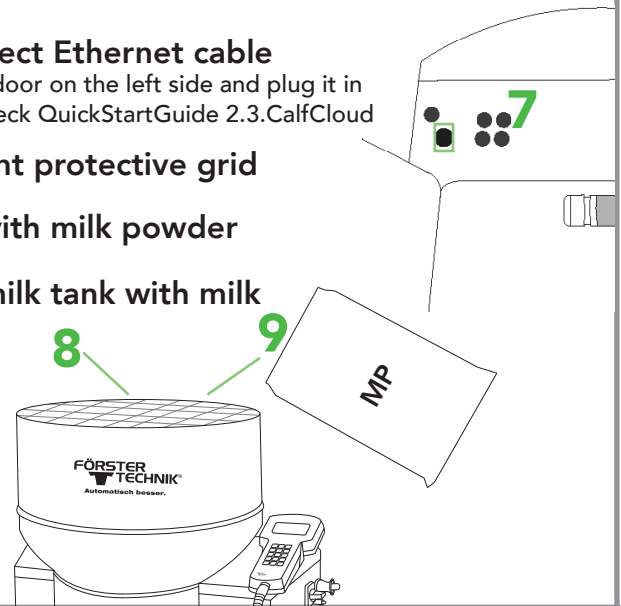
7 Connect Ethernet cable

Open door on the left side and plug it in
TIP: check QuickStartGuide 2.3.CalfCloud

8 Mount protective grid

9 Fill with milk powder

10 Fill milk tank with milk

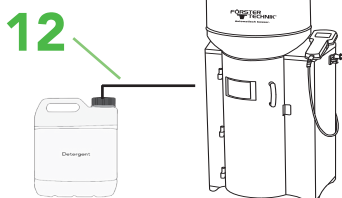


11 Switch on vapour screen for powder outlet if available

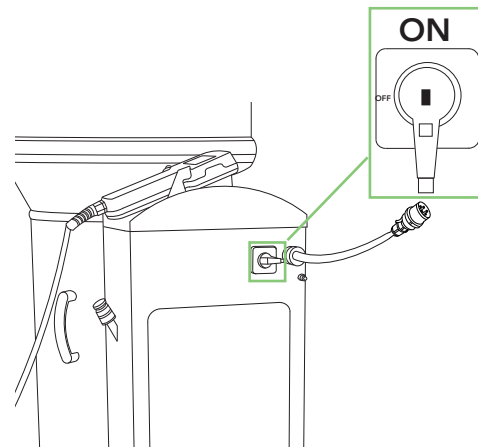
TIP: The switch can be found on the main board of the calf feeder (Open the plate on the back)



12 Install external detergent supply



13 Turn the automatic feeder on



QUICK START GUIDE

Automatic calf feeder combi- 1.1 Installation checklist

First settings at the Handheld

14 Enter basic settings (date & time)

This is automatically displayed after switching on the machine

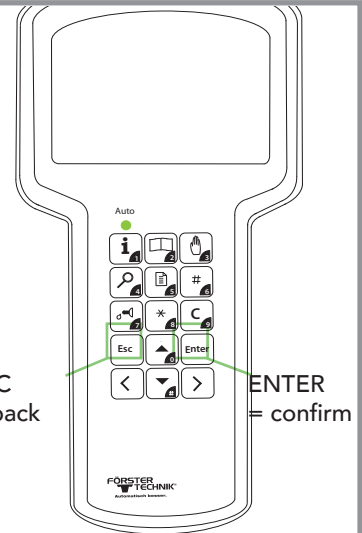
15 Fill the heat exchanger

Fault message HE not filled is automatically displayed

press  → HE is filled now

16 Reinstall everything

 ▶ device data → ▶ new installation →  confirm everything



17 Setup configuration

Turn off the feeder → Keep  pressed

→ Turn on the feeder and hold button until the **setup menu** is displayed.

a) Read in ID-chip

[**setup menu**] →  → 

b) Check / change Setup settings

Setup
language: [English]
time/date
machine
equipment
identification
ID-chip
calibration scale
stations
terminal
communication
SD card
service

c) Adjust the calibration scale *if available* then exit setup

18 Calibration

TIP: check QuickStartGuide 1.3 & 1.4 Calibration

Calibrate all existing components at least 3 times during initial commissioning.

Water, MP, milk, additives

 ▶ calibration → ▶ components

19 Cleaning before commissioning

TIP: check QuickStartGuide 1.6 & 1.7 Cleaning

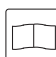
Fill up detergent & clean

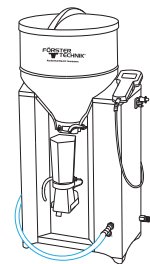
Check cleaning settings

 ▶ cleaning → ▶ settings

Attention: detergent quantity is set to 0ml by default

Circuit cleaning

 ▶ cleaning
→ ▶ circuit cleaning
→ ▶ start?




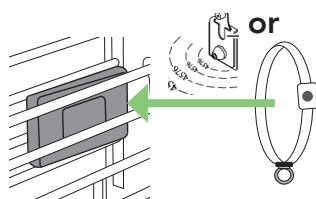
20 Set feeding plans, portion settings and operating mode

TIP: check QuickStartGuide 1.2 feeding plan

21 Reading in transmitters to store them in the system

TIP: check QuickStartGuide 1.8 animal management

 ▶ animal management → ▶ transmitter
→ ▶ new Hold a transmitter next to the antenna in the raceway.




▶ Create new no. X for animal X? → 

22 Register animals to allow feeding

TIP: check QuickStartGuide 1.8 animal management

Besides a manual registration, it is possible to register calves automatically to the calf feeder.

automatically

 ▶ animal management → ▶ register
→ ▶ automatic → 